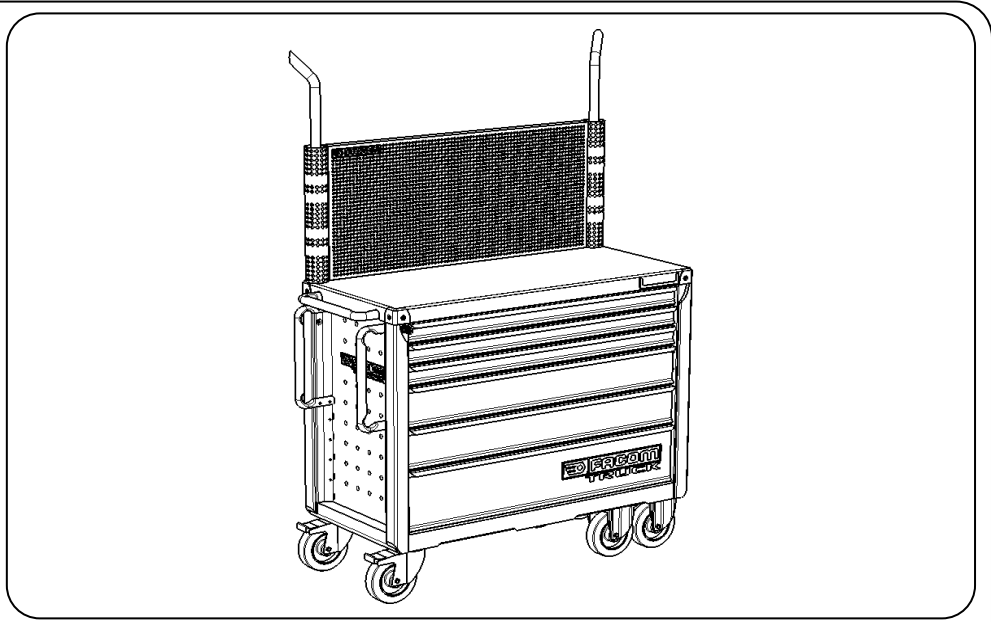
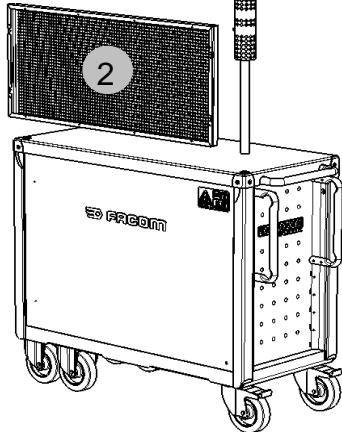


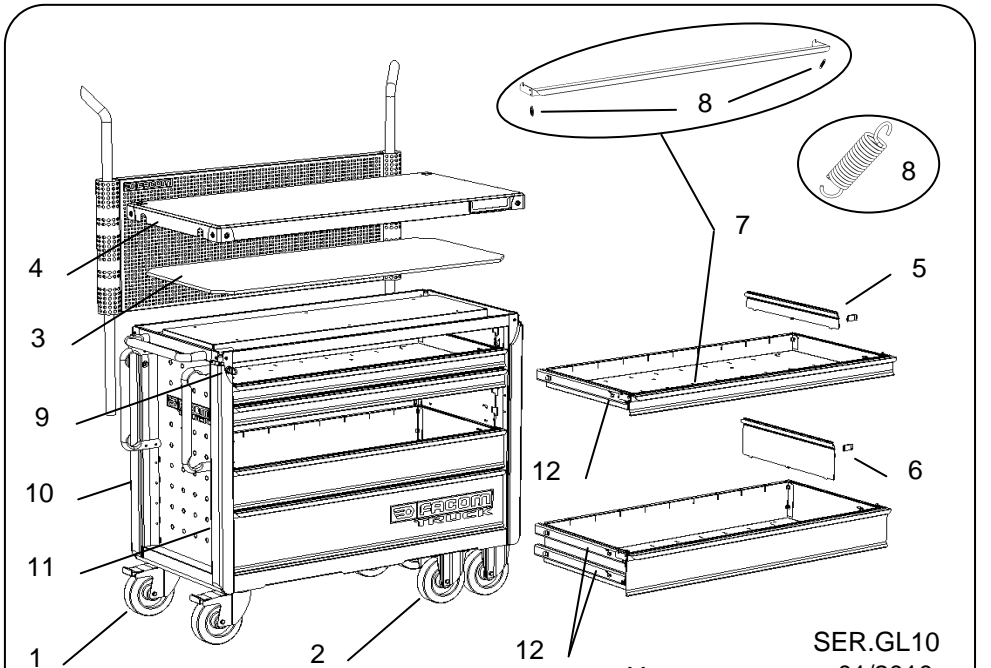
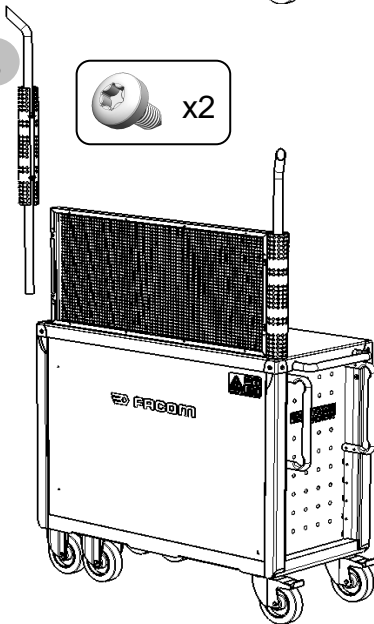
JET.6TRUCKPB



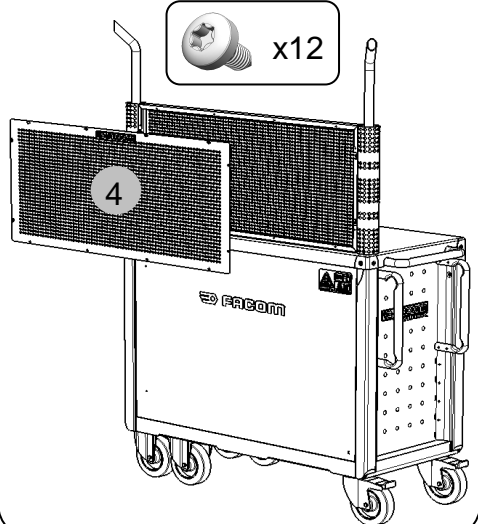
1



3



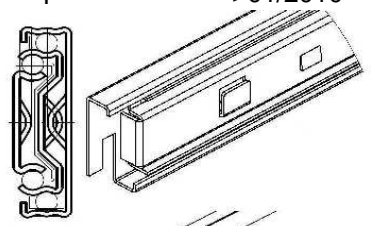
4



JET.6TRUCKPB	
1	TRUCK-03
2	TRUCK-04
3	TRUCK-02
4	TRUCK-01
5	JET2.15 <input type="checkbox"/>
6	JET2.16 <input type="checkbox"/>
7	TRUCK-05
8	2201.01
9	2840.17
10	2840.05N
11	2840.06N
12 X	JET2.14 <input type="checkbox"/>
12 Y	SER.GL10 <input type="checkbox"/>

Y

SER.GL10
->01/2010



X

JET2.14
<-01/2010

