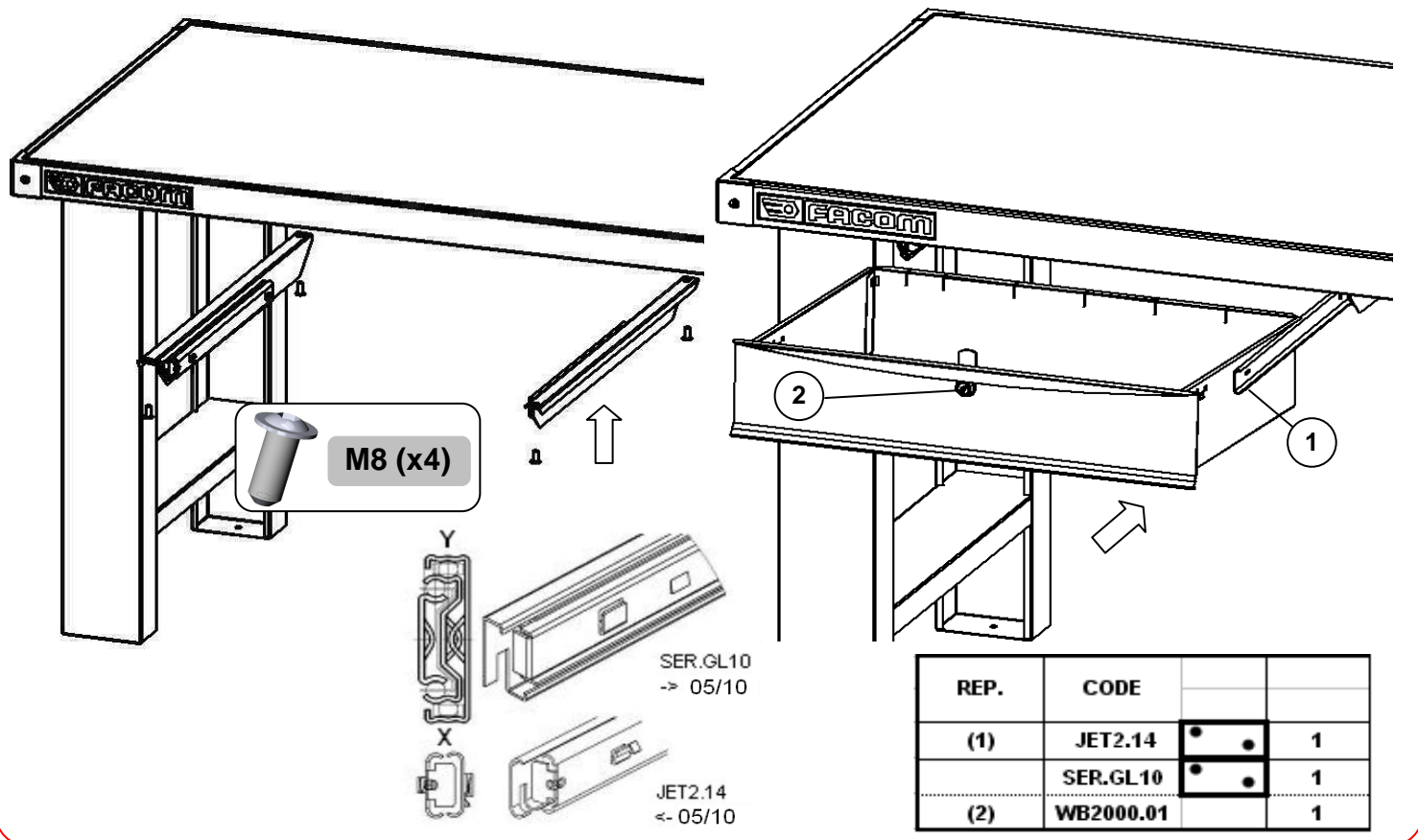
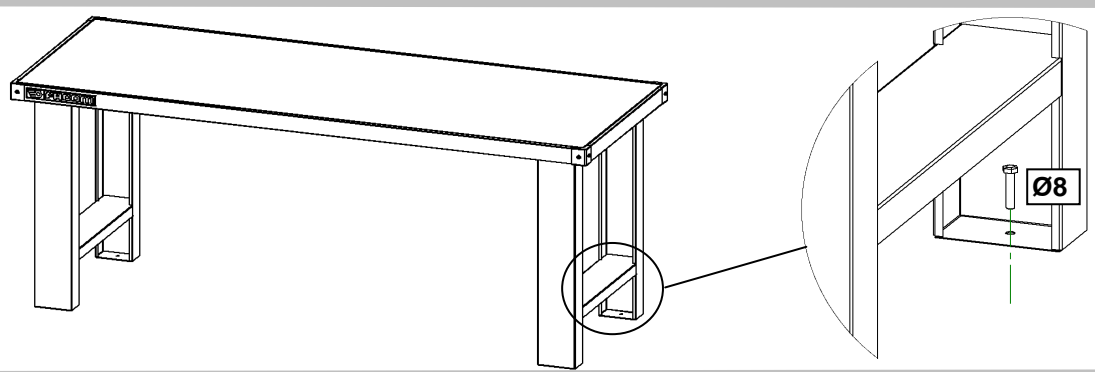
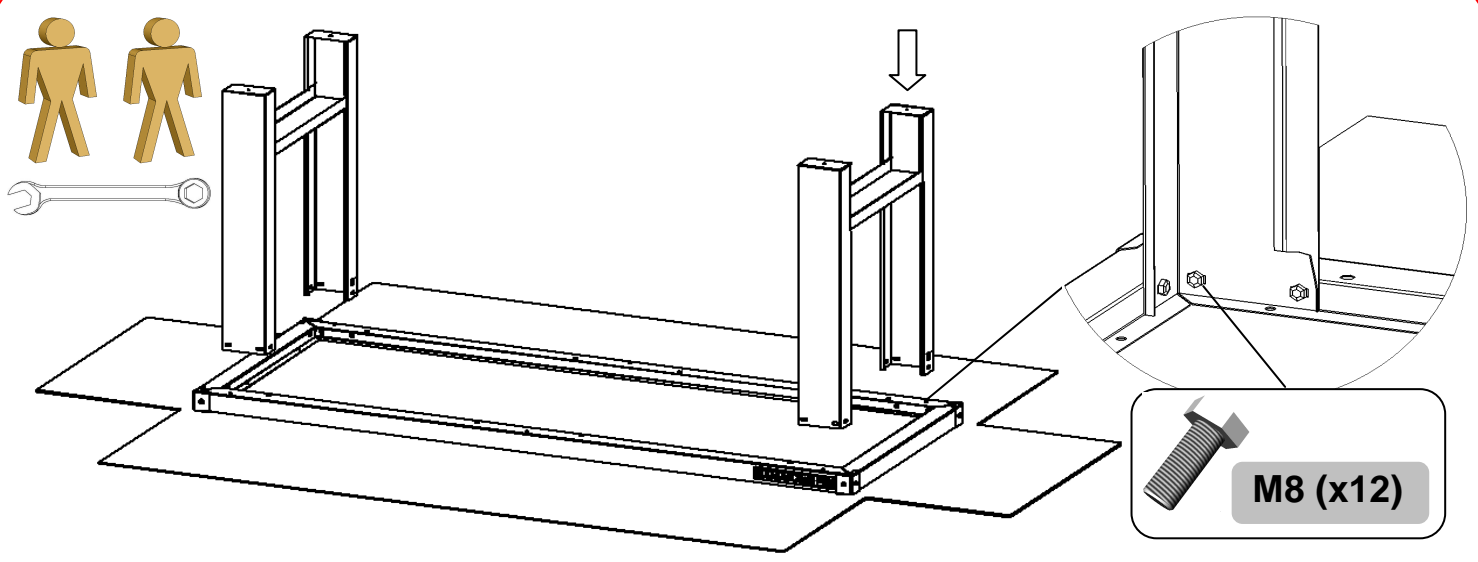


WB.2000W WB.2000GS WB.DRAWER



REP.	CODE		
(1)	JET2.14	•	1
	SER.GL10	•	1
(2)	WB2000.01		1



NU-WB.2000/0510